

-30V, -80A, 5.2mΩ P-channel Power Trench MOSFET

JMTG050P03A

Features

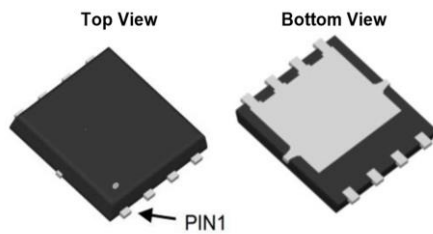
- Excellent $R_{DS(ON)}$ and Low Gate Charge
- 100% UIS TESTED
- 100% ΔV_{ds} TESTED
- Halogen-free; RoHS-compliant
- Pb-free plating

Applications

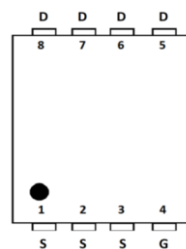
- Load Switch
- PWM Application
- Power Management

Product Summary

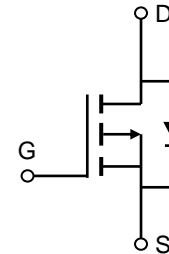
| Parameters | Value | Unit |
|-----------------------------------|-------|------|
| V_{DSS} | -30 | V |
| $V_{GS(th)_{Typ}}$ | -1.7 | V |
| $I_D(@V_{GS}=-10V)$ | -80 | A |
| $R_{DS(ON)_{Typ}}(@V_{GS}=-10V)$ | 3.7 | mΩ |
| $R_{DS(ON)_{Typ}}(@V_{GS}=-4.5V)$ | 5.2 | mΩ |



PDFN5x6-8L



Pin Assignment



Schematic Diagram

Ordering Information

| Device | Marking | MSL | Form | Package | Reel(pcs) | Per Carton (pcs) |
|-------------|----------|-----|-----------|------------|-----------|------------------|
| JMTG050P03A | G050P03A | 1 | Tape&Reel | PDFN5x6-8L | 5000 | 50000 |

Absolute Maximum Ratings (@ $T_C = 25^\circ\text{C}$ unless otherwise specified)

| Symbol | Parameter | Value | Unit |
|----------------|---|---------------------------|------------------|
| V_{DS} | Drain-to-Source Voltage | -30 | V |
| V_{GS} | Gate-to-Source Voltage | ± 20 | V |
| I_D | Continuous Drain Current | $T_C = 25^\circ\text{C}$ | -80 |
| | | $T_C = 100^\circ\text{C}$ | -57 |
| I_{DM} | Pulsed Drain Current ⁽¹⁾ | Refer to Fig.4 | A |
| E_{AS} | Single Pulsed Avalanche Energy ⁽²⁾ | 363 | mJ |
| P_D | Power Dissipation | $T_C = 25^\circ\text{C}$ | 52 |
| | | $T_C = 100^\circ\text{C}$ | 21 |
| T_J, T_{STG} | Junction & Storage Temperature Range | -55 to 150 | $^\circ\text{C}$ |

Thermal Characteristics

| Symbol | Parameter | Max | Unit |
|-----------------|--|-----|---------------------------|
| $R_{\theta JA}$ | Thermal Resistance, Junction to Ambient ⁽³⁾ | 43 | $^\circ\text{C}/\text{W}$ |
| $R_{\theta JC}$ | Thermal Resistance, Junction to Case | 2.4 | |



**Electrical Characteristics** ($T_J = 25^\circ\text{C}$ unless otherwise specified)

| Symbol | Parameter | Conditions | Min. | Typ. | Max. | Unit |
|-----------------------------------|--|--|------|------|-----------|------------------|
| Off Characteristics | | | | | | |
| $V_{(BR)DSS}$ | Drain-Source Breakdown Voltage | $I_D = -250\mu\text{A}, V_{GS} = 0\text{V}$ | -30 | - | - | V |
| I_{DSS} | Zero Gate Voltage Drain Current | $V_{DS} = -30\text{V}, V_{GS} = 0\text{V}$ | - | - | -1.0 | μA |
| I_{GSS} | Gate-Body Leakage Current | $V_{DS} = 0\text{V}, V_{GS} = \pm 20\text{V}$ | - | - | ± 100 | nA |
| On Characteristics | | | | | | |
| $V_{GS(th)}$ | Gate Threshold Voltage | $V_{DS} = V_{GS}, I_D = -250\mu\text{A}$ | -1.2 | -1.7 | -2.2 | V |
| $R_{DS(ON)}$ | Static Drain-Source ON-Resistance ⁽⁴⁾ | $V_{GS} = -10\text{V}, I_D = -20\text{A}$ | - | 3.7 | 4.1 | $\text{m}\Omega$ |
| | | $V_{GS} = -4.5\text{V}, I_D = -10\text{A}$ | - | 5.2 | 6.6 | $\text{m}\Omega$ |
| Dynamic Characteristics | | | | | | |
| R_g | Gate Resistance | $f = 1\text{MHz}$ | - | 3.9 | - | Ω |
| C_{iss} | Input Capacitance | $V_{GS} = 0\text{V}, V_{DS} = -15\text{V}, f = 1\text{MHz}$ | - | 7747 | - | pF |
| C_{oss} | Output Capacitance | | - | 871 | - | pF |
| C_{rss} | Reverse Transfer Capacitance | | - | 559 | - | pF |
| Q_g | Total Gate Charge | $V_{GS} = 0 \text{ to } -10\text{V}$ $V_{DS} = -15\text{V}, I_D = -20\text{A}$ | - | 121 | - | nC |
| Q_{gs} | Gate Source Charge | | - | 23 | - | nC |
| Q_{gd} | Gate Drain("Miller") Charge | | - | 18 | - | nC |
| Switching Characteristics | | | | | | |
| $t_{d(on)}$ | Turn-On DelayTime | $V_{GS} = -10\text{V}, V_{DD} = -15\text{V}$ $I_D = -20\text{A}, R_{GEN} = 3\Omega$ | - | 28 | - | ns |
| t_r | Turn-On Rise Time | | - | 83 | - | ns |
| $t_{d(off)}$ | Turn-Off DelayTime | | - | 77 | - | ns |
| t_f | Turn-Off Fall Time | | - | 66 | - | ns |
| Body Diode Characteristics | | | | | | |
| I_S | Maximum Continuous Body Diode Forward Current | | - | - | -80 | A |
| I_{SM} | Maximum Pulsed Body Diode Forward Current | | - | - | -320 | A |
| V_{SD} | Body Diode Forward Voltage | $V_{GS} = 0\text{V}, I_S = -30\text{A}$ | - | | 1.2 | V |
| t_{rr} | Body Diode Reverse Recovery Time | $I_F = -20\text{A}, di/dt = 100\text{A}/\mu\text{s}$ | - | 30 | - | ns |
| Q_{rr} | Body Diode Reverse Recovery Charge | | - | 19.5 | - | nC |

- Notes:
1. Repetitive Rating: Pulse Width Limited by Maximum Junction Temperature.
 2. E_{AS} condition: Starting $T_J=25^\circ\text{C}$, $V_{DD}=-15\text{V}$, $V_G=-10\text{V}$, $R_G=25\text{ohm}$, $L=0.5\text{mH}$, $I_{AS}=-38.08\text{A}$, $V_{DD}=0\text{V}$ during time in avalanche.
 3. $R_{\theta JA}$ is measured with the device mounted on a 1inch^2 pad of 2oz copper FR4 PCB.
 4. Pulse Test: Pulse Width $\leq 300\mu\text{s}$, Duty Cycle $\leq 0.5\%$.



Typical Performance Characteristics

Figure 1: Power De-rating

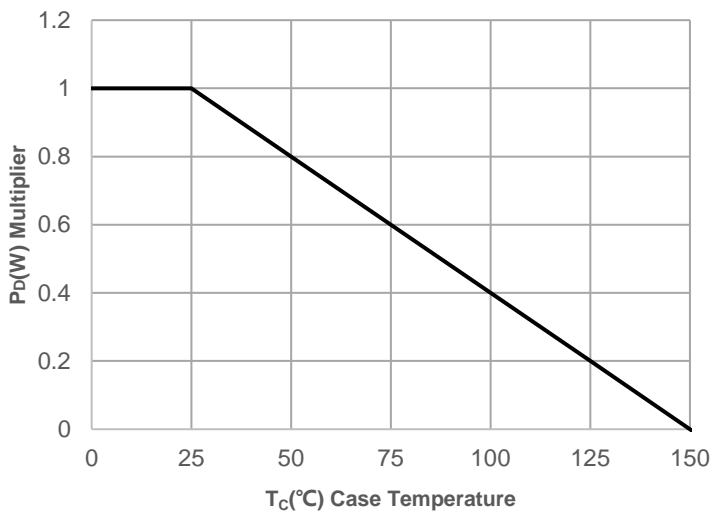


Figure 2: Current De-rating

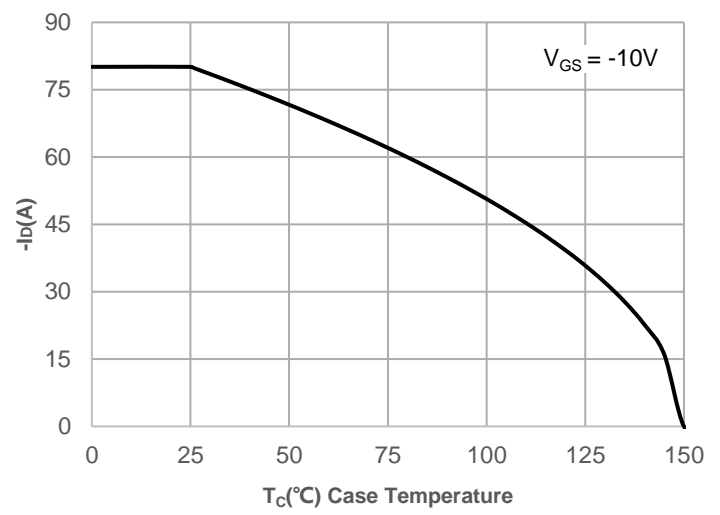


Figure 3: Normalized Maximum Transient Thermal Impedance

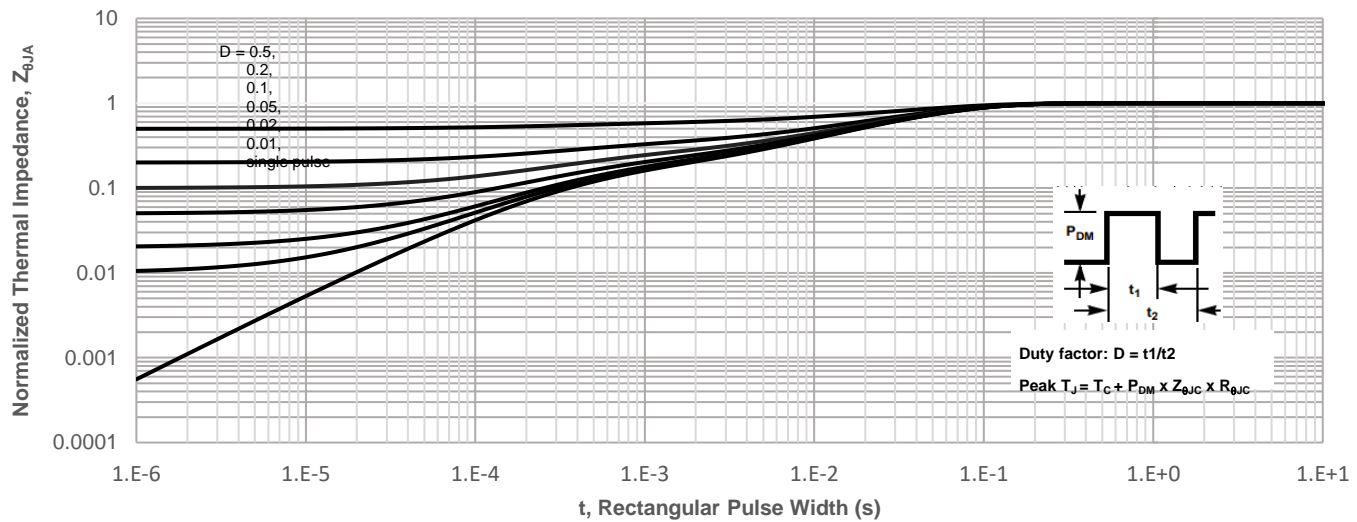
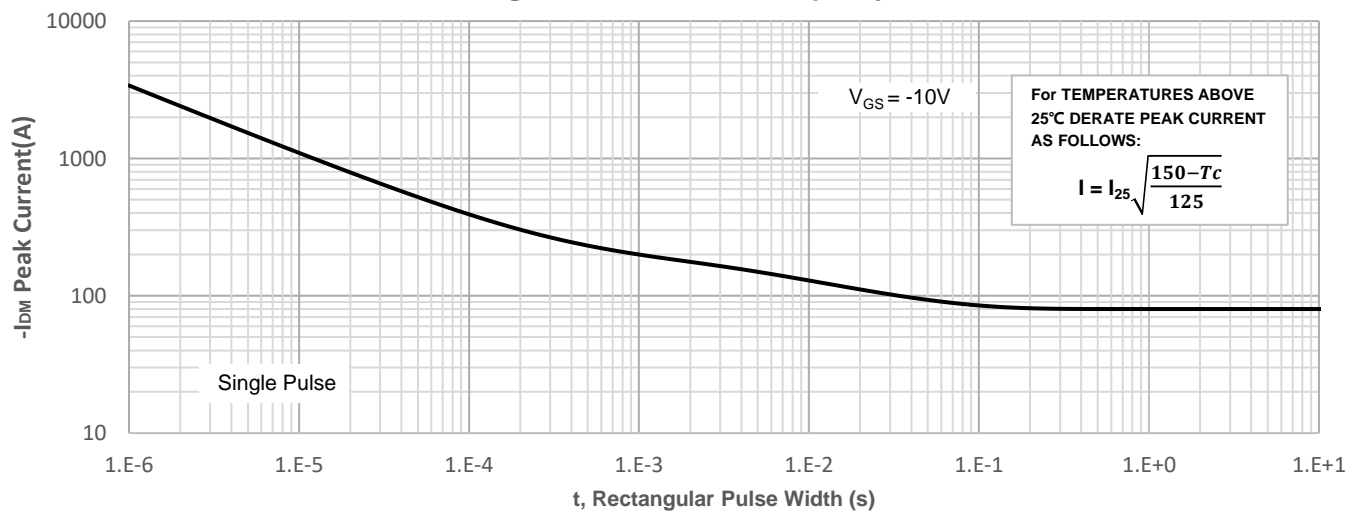
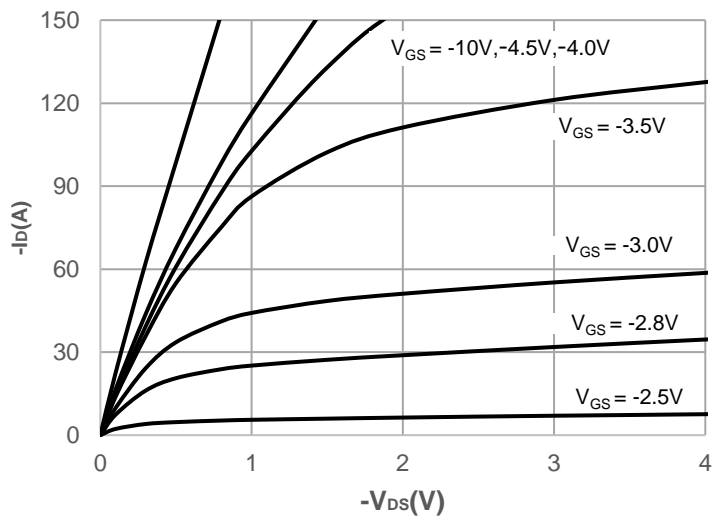
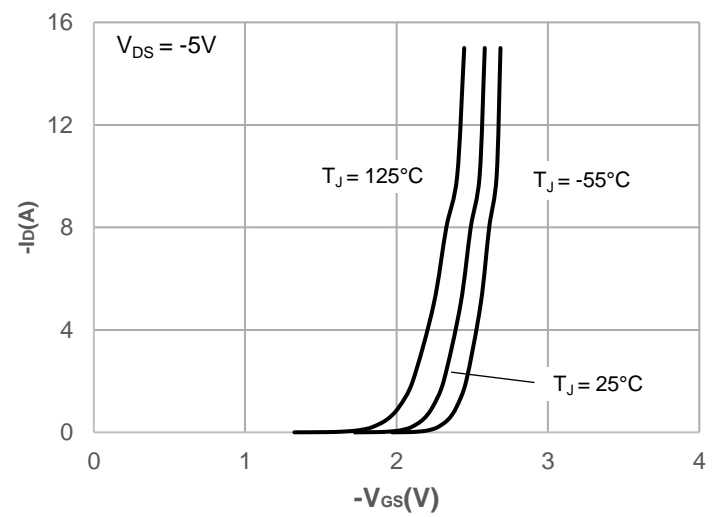
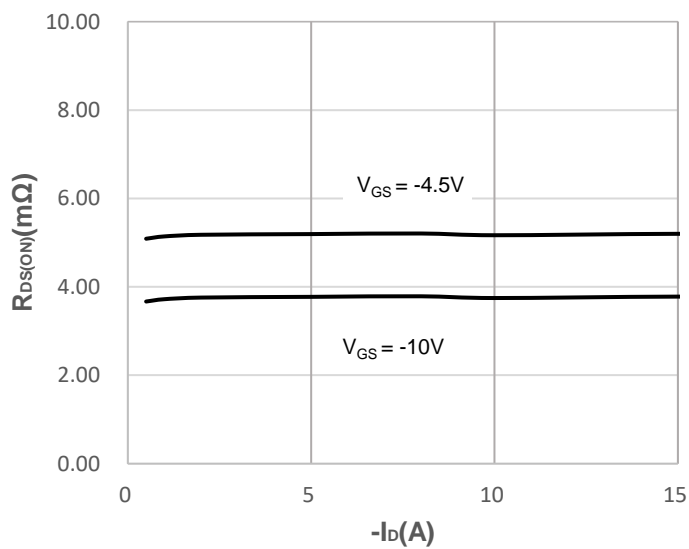
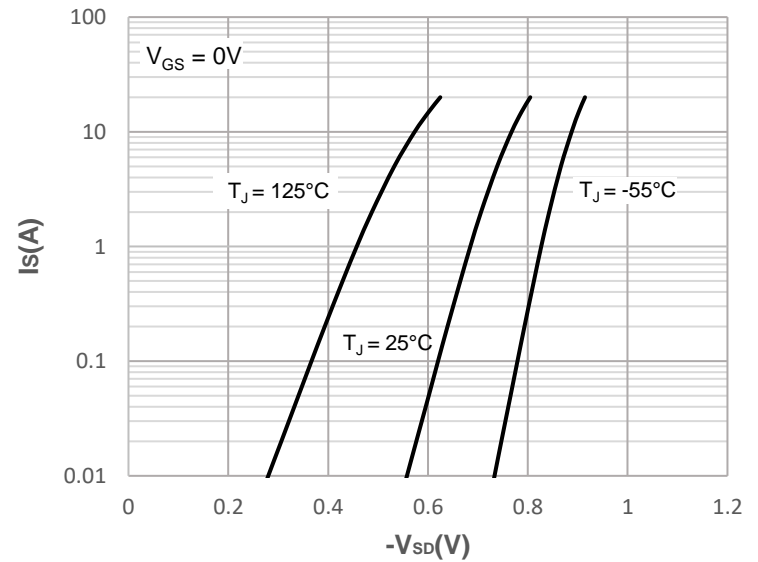
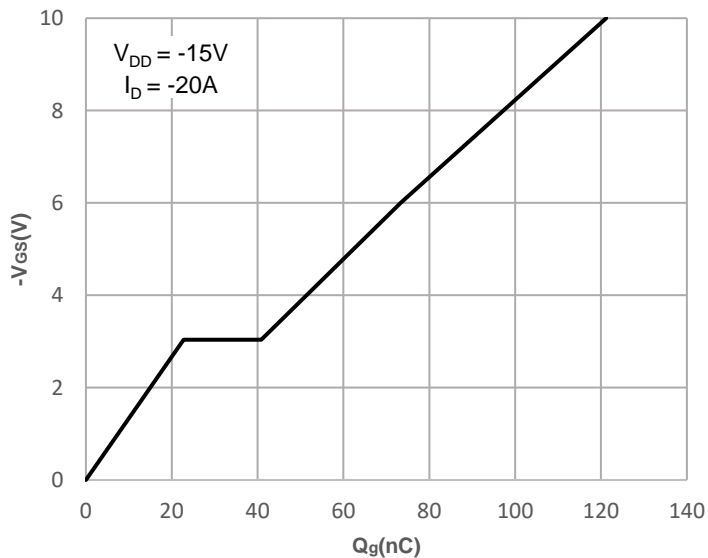
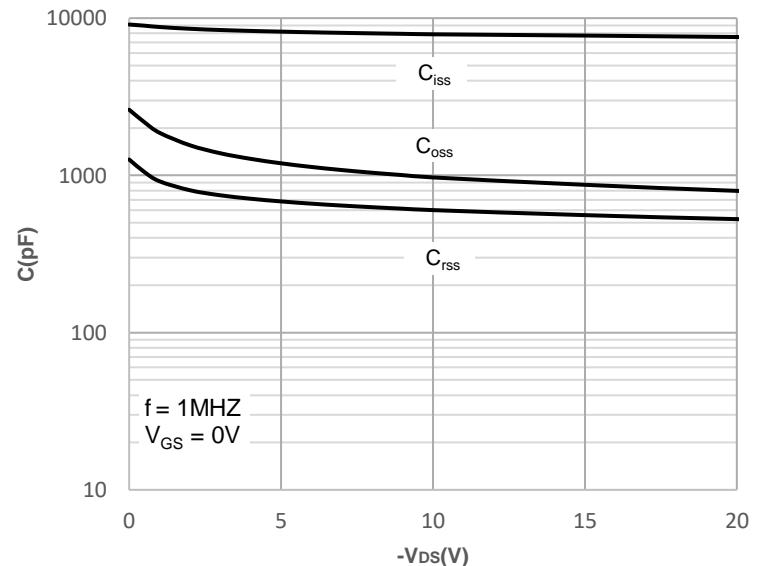


Figure 4: Peak Current Capacity



Typical Performance Characteristics

Figure 5: Output Characteristics

Figure 6: Typical Transfer Characteristics

Figure 7: On-resistance vs. Drain Current

Figure 8: Body Diode Characteristics

Figure 9: Gate Charge Characteristics

Figure 10: Capacitance Characteristics


Typical Performance Characteristics

Figure 11: Normalized Breakdown voltage vs. Junction Temperature

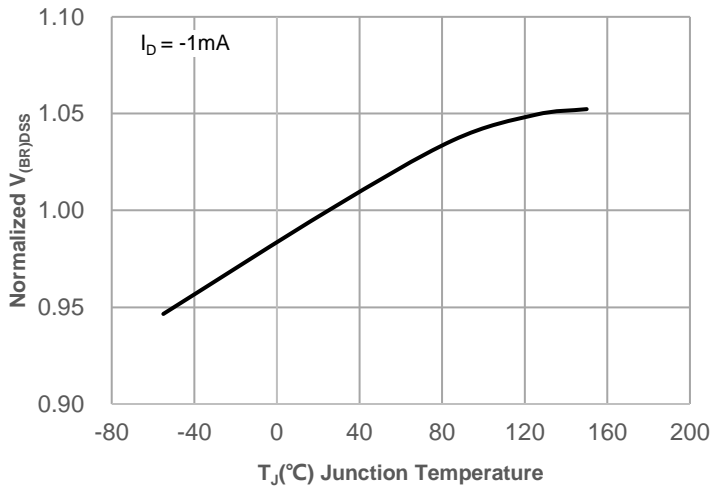


Figure 12: Normalized on Resistance vs. Junction Temperature

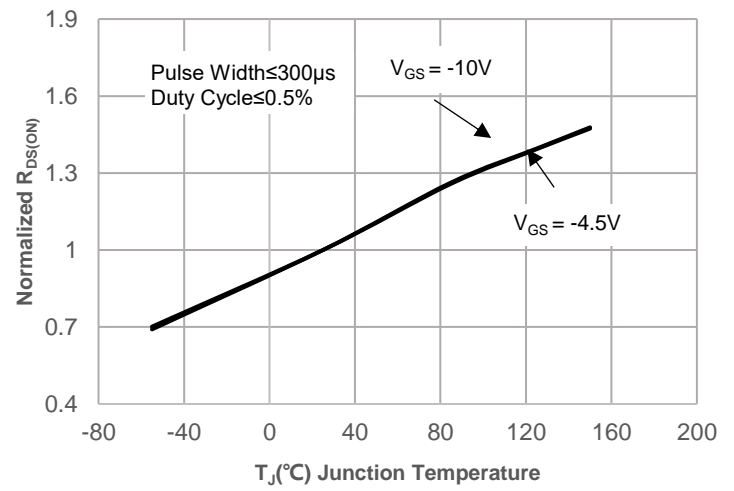


Figure 13: Normalized Threshold Voltage vs. Junction Temperature

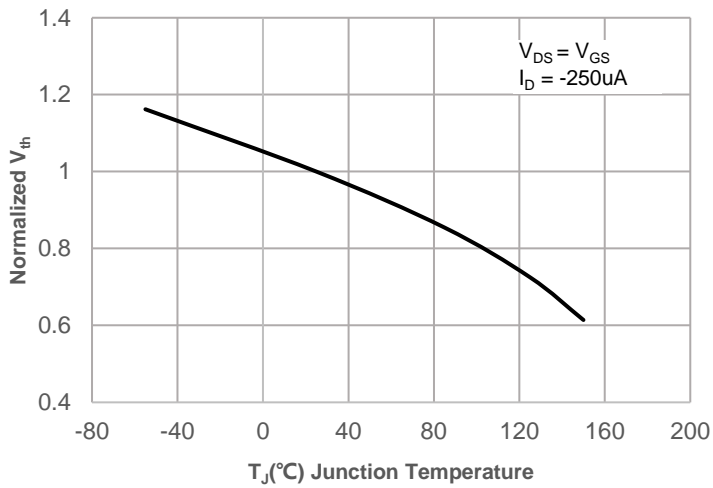


Figure 14: $R_{DS(ON)}$ vs. V_{GS}

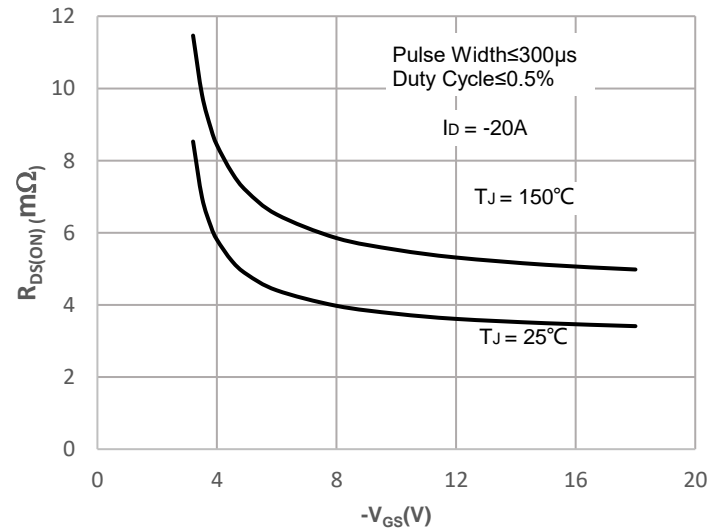
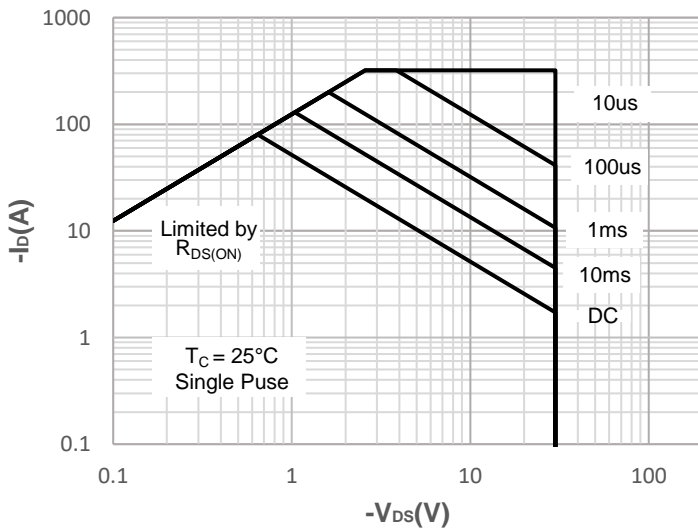


Figure 15: Maximum Safe Operating Area



Test Circuit

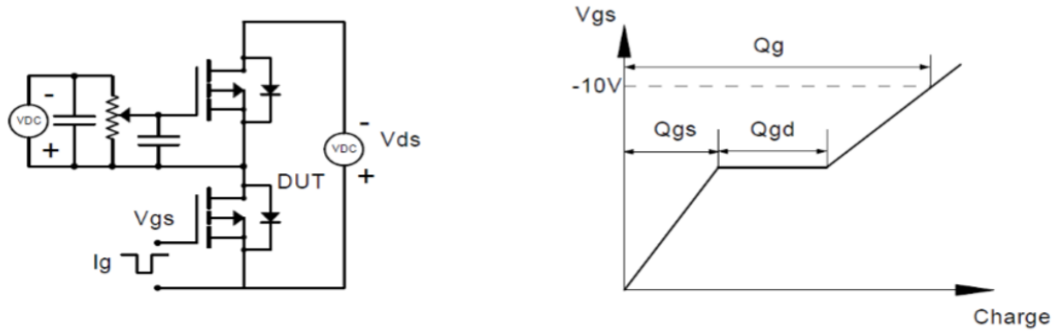


Figure 1: Gate Charge Test Circuit & Waveform

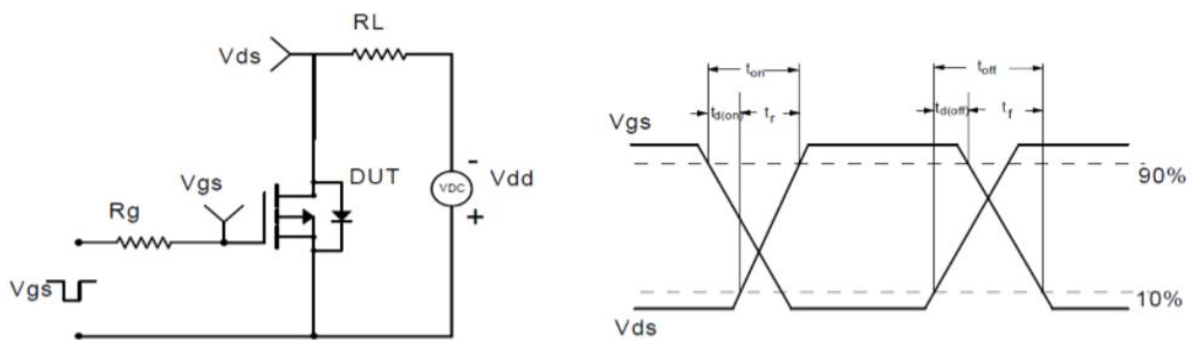


Figure 2: Resistive Switching Test Circuit & Waveform

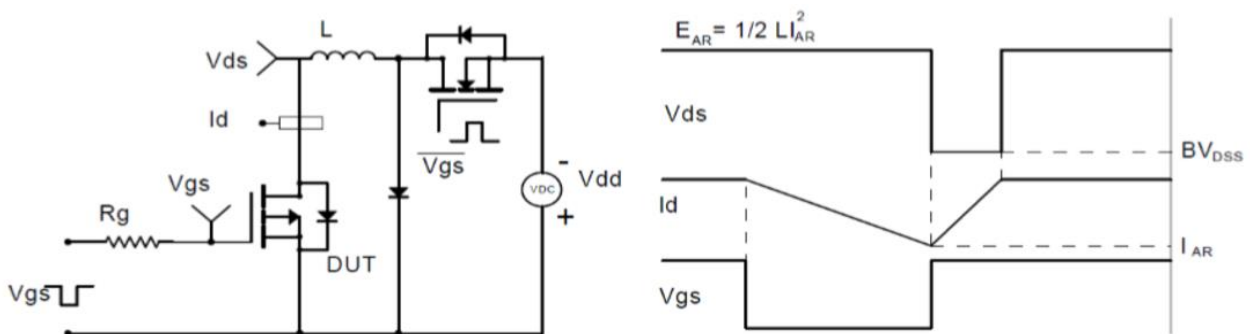


Figure 3: Unclamped Inductive Switching Test Circuit & Waveform

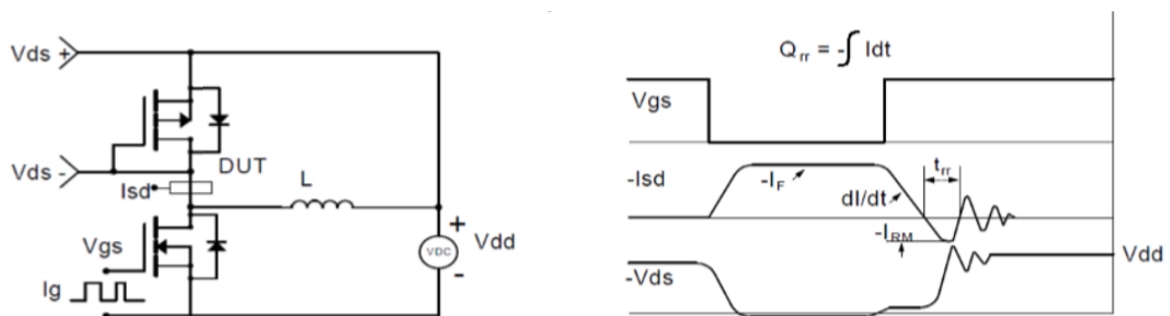
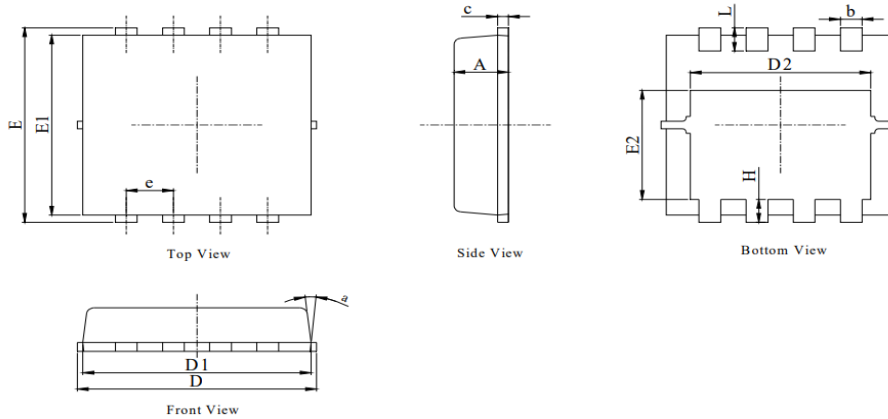


Figure 4: Diode Recovery Test Circuit & Waveform



Package Mechanical Data(PDFN5X6-8L)

Package Outline

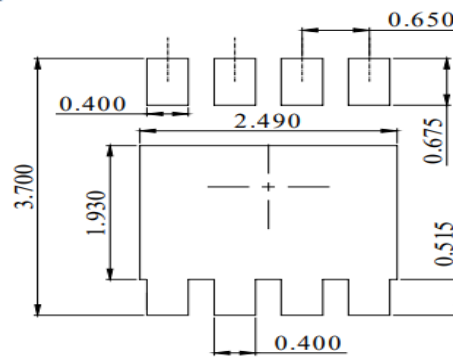


NOTES:

1. DIMENSIONING AND TOLERANCING PER ASME Y14.5M,1994.
2. ALL DIMENSIONS IN MILLIMETER (ANGLE IN DEGREE).
3. DIMENSIONS D1 AND E1 DO NOT INCLUDE MOLD FLASH PROTRUSIONS OR GATE BURRS.

| DIM. | MILLIMETER | | |
|------|------------|------|------|
| | MIN. | NOM. | MAX. |
| A | 0.90 | 1.00 | 1.10 |
| b | 0.31 | 0.41 | 0.51 |
| c | 0.20 | 0.25 | 0.30 |
| D | 5.00 | 5.20 | 5.40 |
| D1 | 4.95 | 5.05 | 5.15 |
| D2 | 4.00 | 4.10 | 4.20 |
| E | 6.05 | 6.15 | 6.25 |
| E1 | 5.50 | 5.60 | 5.70 |
| E2 | 3.42 | 3.53 | 3.63 |
| e | 1.27BSC | | |
| H | 0.60 | 0.70 | 0.80 |
| L | 0.50 | 0.70 | 0.80 |
| K | 1.23 REF | | |
| θ | - | - | 10° |

Recommended Soldering Footprint



DIMENSIONS: MILLIMETERS

Information furnished in this document is believed to be accurate and reliable. However, Jiangsu JieJie Microelectronics Co.,Ltd assumes no responsibility for the consequences of use without consideration for such information nor use beyond it. Information mentioned in this document is subject to change without notice, apart from that when an agreement is signed, Jiangsu JieJie complies with the agreement. Products and information provided in this document have no infringement of patents. Jiangsu JieJie assumes no responsibility for any infringement of other rights of third parties which may result from the use of such products and information.

is a registered trademark of Jiangsu JieJie Microelectronics Co.,Ltd.

